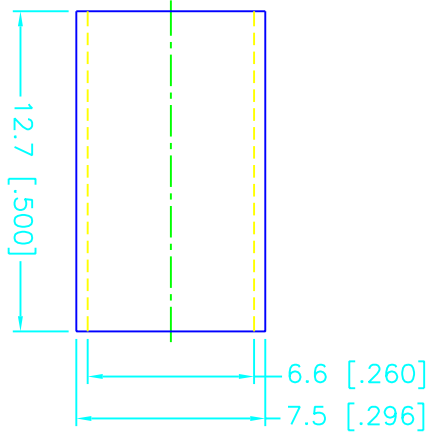
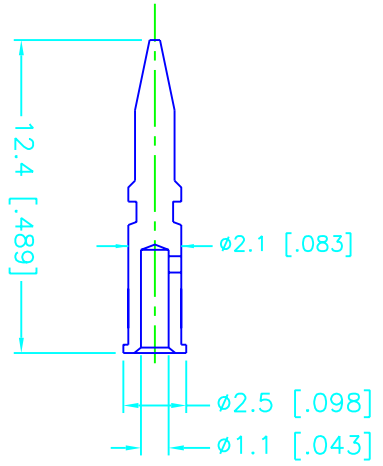
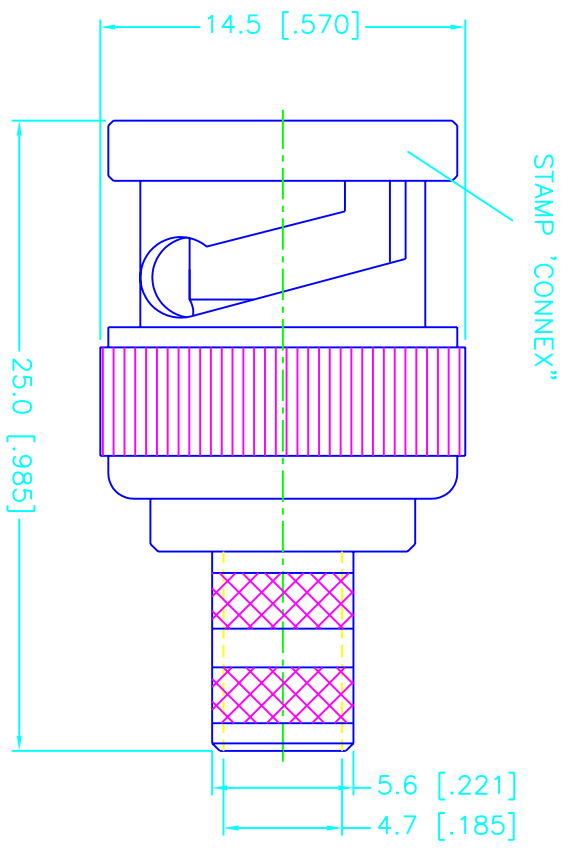
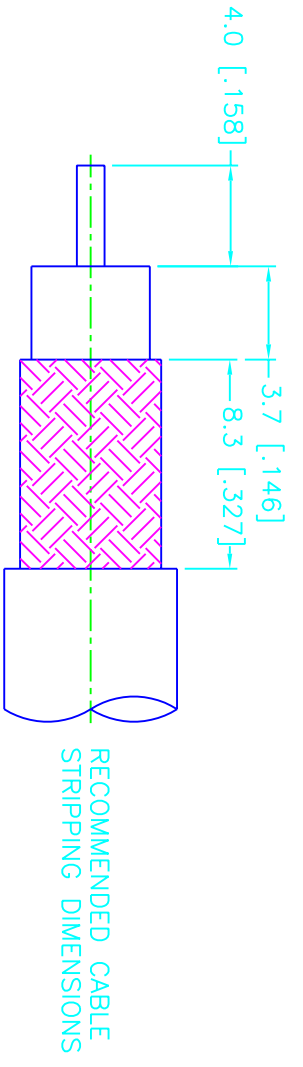
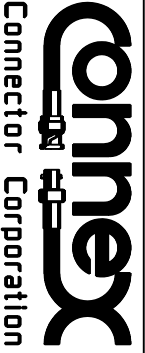


REV.	DATE	DESCRIPTION
A	11/14/97	ADD CONTACT PIN



DESCRIPTION	MATERIAL	FINISH	UNLESS OTHERWISE SPECIFIED DIMENSIONS ARE IN MILLIMETERS	APPROVALS	DATE	TITLE	SCALE	SHEET	OF		
1 BODY	BRASS	NICKEL	DIMENSIONS IN () ARE IN INCHES FOR CUSTOMER REFERENCE ONLY UNLESS OTHERWISE SPECIFIED TOLERANCES FOR MILLIMETERS ARE: 0.5-6 = ± 0.2 6-30 = ± 0.4 30-120 = ± 0.6 120-315 = ± 1 315-1000 = ± 1.6 1000-2000 = ± 2.4	DRAWN	11/14/97	 BNC CRIMP PLUG (FOR RG-6/U PLENUM CABLE)	A	1	1		
2 INSULATOR	DELIRIN	NATURAL		CHECKED				SIZE			
3 CONTACT PIN	PHOS. BRONZE	GOLD		ISSUED				FSCM NO.	NA		
4								99001	PART NO.	112519	
5								DWG. NO.			
6								112519.DWG			
7											
8								DO NOT SCALE DRAWING			